

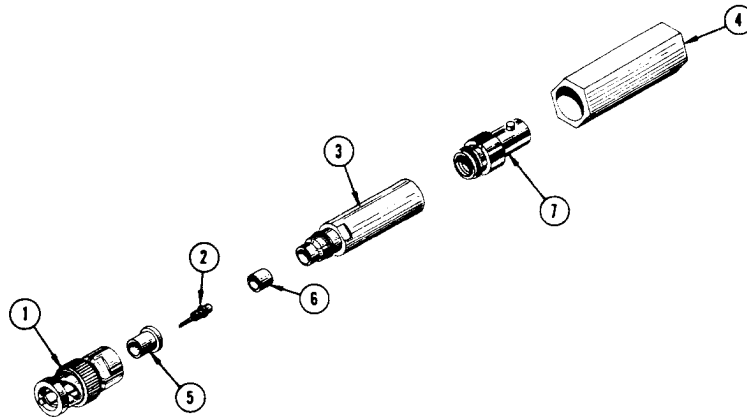
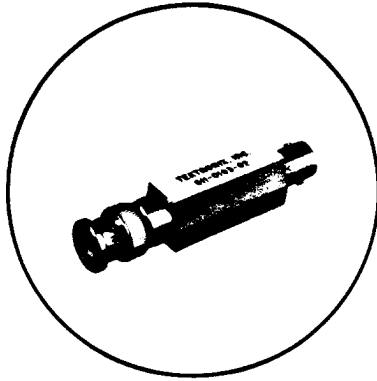
Instructions

Tektronix

011-0103-02
75 OHM Termination,
BNC, 0.25 W

062-1060-00

**75 OHM TERMINATION, BNC, 0.25 W
(Part No. 011-0103-02)**



| Fig. & Index No. | Tektronix Part No. | Serial/Assembly No. Effective | Dscont | Qty | 12345 Name & Description | Mfr. Code | Mfr. Part No. |
|------------------|--------------------|-------------------------------|--------|-----|--|-----------|----------------|
| 1-1 | 134-0044-00 | | | 1 | SHELL, ELEC CONN: BNC | 95712 | 33600-1 |
| -2 | 214-0109-01 | 9109 | 9108 | 1 | CONTACT, ELEC: CONN CTR CONT, BRS SIL PL | 34736 | ORDER BY DESCR |
| | 214-0109-00 | | | 1 | CONTACT, ELEC: CONN CTR CONT | 24931 | C-1174 |
| -3 | 204-0209-00 | | | 1 | BODY, IMPD MATCH: 50-75 OHM | 80009 | 204-0209-00 |
| -4 | 334-1369-02 | | | 1 | SLEEVE, MKR, CA: MKD TERMINATION 75 OHM 3V | 80009 | 334-1369-02 |
| -5 | 358-0072-00 | | | 1 | INSULATOR, BSHG: 0.192 ID X 0.192 OD X 0.323 | 80009 | 358-0072-00 |
| -6 | 358-0079-00 | | | 1 | INSULATOR, BSHG: 0.156 ID X 0.275 OD X 0.14 | 80009 | 358-0079-00 |
| -7 | 131-0318-00 | | | 1 | CONN, RCPT, ELEC: BNC, FEMALE | 24931 | 28JR408-1 |
| ELECTRICAL PARTS | | | | | | | |
| | 321-0114-07 | | | 2 | RES, FXD, FILM: 150 OHM, 0.1%, 0.125W, TC=T9 | 80009 | 321-0114-07 |

CROSS INDEX - MFR. CODE NUMBER TO MANUFACTURER

| Mfr. Code | Manufacturer | Address | City, State, Zip Code |
|-----------|---|--------------------------------------|-------------------------|
| 24931 | SPECIALTY CONNECTOR CO INC | 2100 EARLYWOOD DR PO BOX 547 | FRANKLIN IN 46131 |
| 34736 | CONTINENTAL SWISS PRECISION PRODUCTS INC | | SOUTH HACKENSACK NJ |
| 80009 | TEKTRONIX INC | 14150 SW KARL BRAUN DR PO BOX 500 | BEAVERTON OR 97077-0001 |
| 95712 | BENDIX CORP THE ELECTRICAL COMPONENTS DIV MICROWAVE DEVICES PLANT | HURRICANE ROAD | FRANKLIN IN 46131 |